



Maximum Performance



UA80-105-135

FEATURES AND BENEFITS

- Rigid mounted, normal spin, 200G factor
- Stainless steel top and front panel, black side panel
- Stainless steel drum and tub
- PROform – fully programmable microprocessor
- Patented soap hopper
- Large drain valve (Ø 76 mm)
- Easy access to all vital parts from the front
- Large door opening for easy loading & unloading

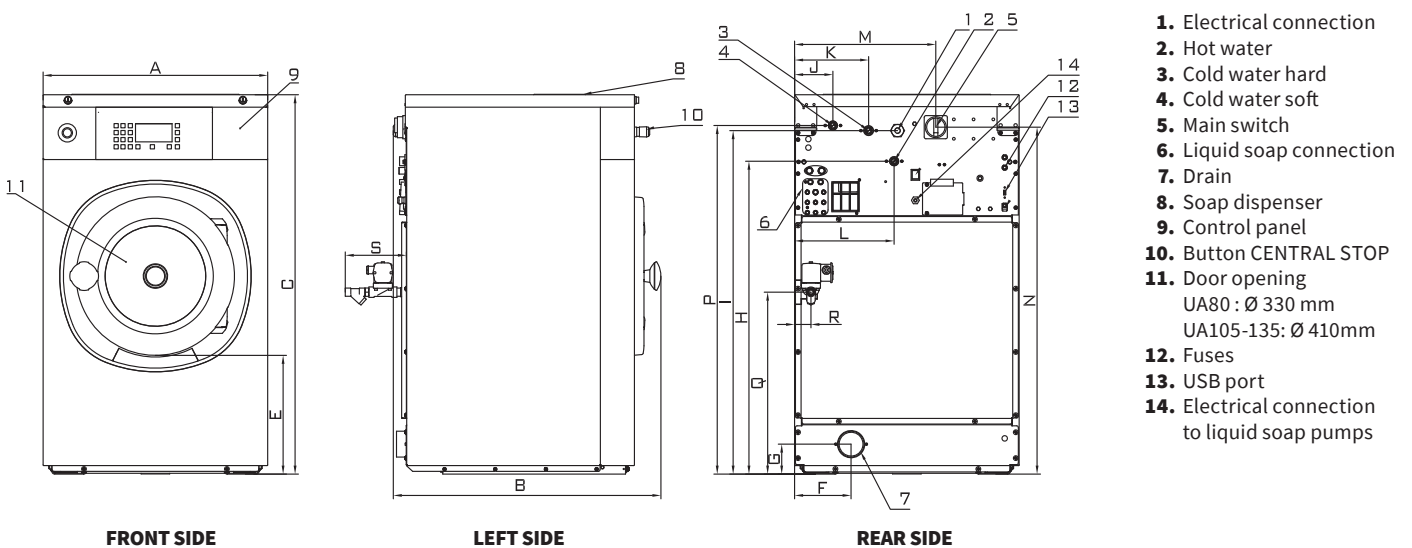
OPTIONS

- Stainless steel side panels
- USB plug (on the back panel)
- Liquid soap connection
- Steam heating version
- Liquid soap pumps
- Water recovery kit
- Drain pump (UA80)
- 3rd water inlet
- ECO Version : lower kW rating on request

HARDMOUNT WASHER-EXTRACTORS

TYPE		UA80	UA105	UA135
INNERDRUM				
Capacity 1:09	kg (lb)	8(18)	12(26)	15(33)
Volume	litres	75	105	135
Diameter	mm	530	620	620
DRUM SPEED				
Wash	rpm	50	46	46
Extraction	rpm	820	760	760
G-FACTOR				
200				
HEATING				
Electricity	kW	3 - 7	3 - 7	3 - 7
Steam	bar	1 - 8	1 - 8	1 - 8
Hot water	°C	90	90	90
Sound pressure level	dB (A)	< 65	< 65	< 65
Water valves connection	BSP	3/4"	3/4"	3/4"
Water pressure	kPa	100-800	100-800	100-800
Rec. water pressure	kPa	300-500	300-500	300-500
Water inlet	l/min	20	20	20
Drain valve	outer Ø mm	76	76	76
Flow amount with drain valve	l/min	210	210	210
Steam valve connection	BSP	1/2"	1/2"	1/2"
Steam pressure	kPa	100-800	100-800	100-800
DIMENSIONS				
Size H×W×D	mm	1115×660×785	1225×750×785	1225×750×900
Net weight	kg	135	170	190
TRANSPORT DATA				
Packed H×W×D	mm	1245×710×835	1355×800×835	1355×800×950
Gross weight	kg	145	185	200

TYPE	A	B	C	D	E	F	G	H	I	J	K	L	M	N	O	P	Q	S
UA80	660	785	1115	676	349	166	88	920	1010	113	218	293	415	1020	1025	535	48	180
UA105	750	785	1225	676	342	225	98	1030	1120	113	218	338	505	1130	1135	480	42	192
UA135	750	900	1225	788	342	225	98	1030	1120	113	218	338	5050	1130	1135	480	42	192
	width	depth	height															



CONSULT YOUR SALES REPRESENTATIVE FOR AVAILABILITY

For the most accurate information, the installation guide should be used for all design and construction purposes. Due to continuous product improvements, design and specifications are subject to change without notice. www.unimac.com