



Maximum Performance



UA180-240-280

FEATURES AND BENEFITS

- Rigid mounted, normal spin, 100G factor
- Stainless steeltop and front panel, black side panels
- Stainless steel drum and tub
- PROform – fully programmable microprocessor
- Patented soap hopper
- High capacity water inlets (UA280)
- Large drain valve (Ø 76 mm)
- Easy access to all vital parts from the front
- Large door opening for easy loading & unloading

OPTIONS

- 200 G factor execution
- Stainless steel side panels
- USB plug (on the back panel)
- Liquid soap connection
- Steam heating version
- Liquid soap pumps
- Water recovery kit
- Steam heating version
- 3rd water inlet
- High capacity water inlets UA180, UA240
- ECO version : lower kW rating on request

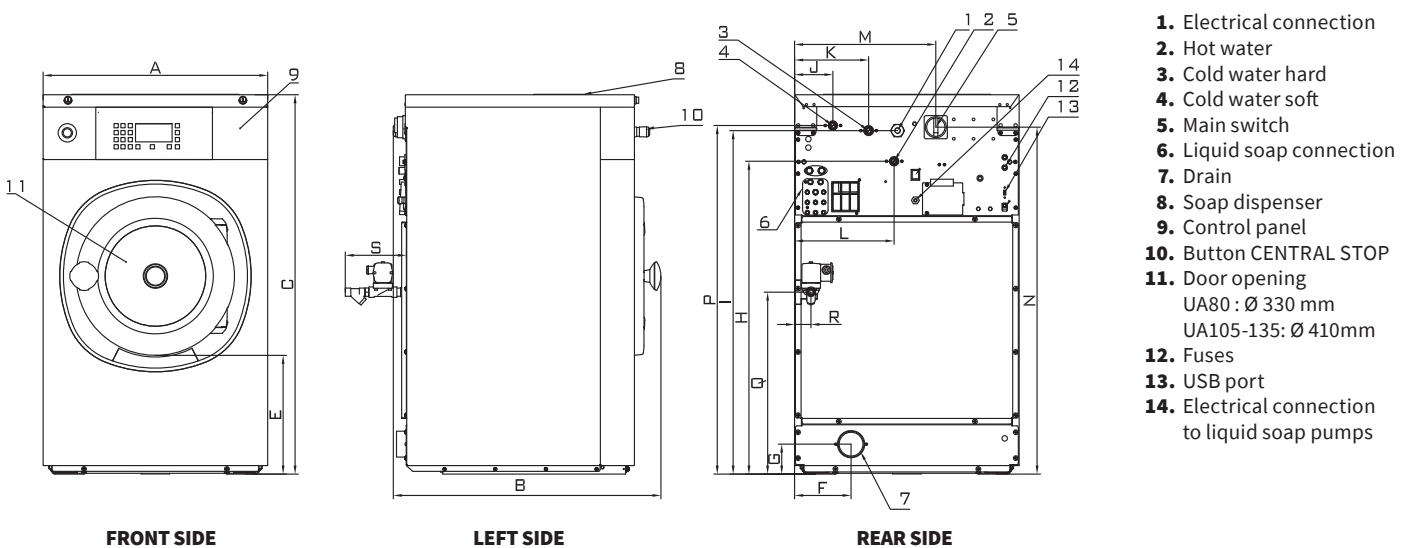
HARDMOUNT WASHER-EXTRACTORS

TYPE		UA180	UA240	UA280
INNERDRUM				
Capacity 1:09	kg (lb)	20(44)	27(60)	31(68)
Volume	litres	180	240	280
Diameter	mm	750	750	750
DRUM SPEED				
Wash	rpm	42	42	42
Extraction	rpm	490 (690)*	490 (690)*	490 (690)*
G-FACTOR				
		100 standard 200*	100 standard 200*	100 standard 200*
HEATING				
Electricity	kW	12 - 18	18	21,9
Steam	bar	1-8	1-8	1-8
Hot water	°C	90	90	90
Sound pressure level	dB (A)	< 65	< 65	< 65
Water valves connection	BSP	3/4"	3/4"	3/4"
Water pressure	kPa	100-800	100-800	100-800
Rec. water pressure	kPa	300-500	300-500	300-500
Water inlet	l/min	20	20	20
Drain valve	outer Ø mm	76	76	76
Flow amount with drain valve	l/min	210	210	210
Steam valve connection	BSP	1/2"	1/2"	1/2"
Steam pressure	kPa	100-800	100-800	100-800
DIMENSIONS				
Size H×W×D	mm	1410×890×915	1410×890×1060	1410×890×1135
Net weight	kg	255 (315)*	275 (330)*	290 (355)*
TRANSPORT DATA				
Packed H×W×D	mm	1550×925×970	1550×925×1130	1550×925×1190
Gross weight	kg	270 (335)*	290 (355)*	305 (385)*

* 200 G-factor execution

TYPE	A	B	C	D	E	F	G	H	I	J	K	L	M	N	O	P	Q	S
UA180	890	915	1410	815	465	280	130	1212	1297	113	218	303	625	1270	1317	528	54	120
UA240	890	1060	1410	960	465	280	130	1212	1297	113	218	303	625	1270	1317	528	54	120
UA280	890	1135	1410	1035	465	280	130	1212	1297	113	218	303	625	1270	1317	528	54	120

width depth height



CONSULT YOUR SALES REPRESENTATIVE FOR AVAILABILITY

For the most accurate information, the installation guide should be used for all design and construction purposes. Due to continuous product improvements, design and specifications are subject to change without notice. www.unimac.com