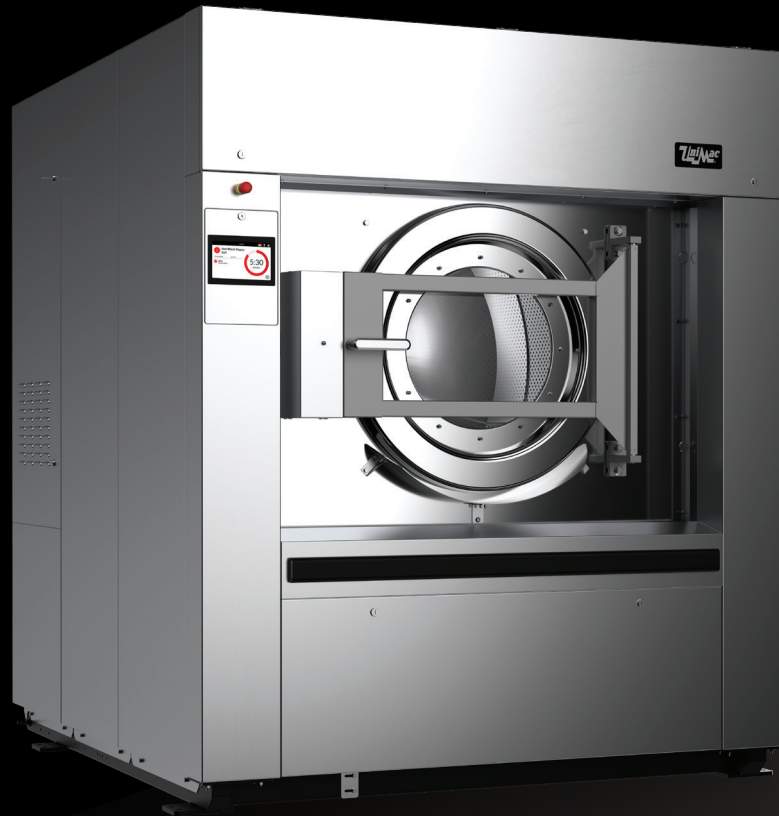




Maximum Performance



UY800, UY1000, UY1200

FEATURES AND BENEFITS

- Freestanding, high spin
- Stainless steel cabinet (AISI 304)
- Stainless steel drum and tub
- Extra large door opening (UY800, UY1000 Ø 530 mm, UY1200 Ø 650 mm)
- Two large drain valves (Ø 103 mm)
- Easy access to all parts
- Standard liquid soap connections
- Frequency controlled motor
- Perforated lifting ribs: more mechanical action, lower water consumption
- Air operated water inlet
- Ecological washing programmes – significantly reduces water and electricity consumption
- Patented soap dispenser with 5 removable compartments
- Liquid soap connection : automatic dosing
- Manual weighing system

OPTIONS

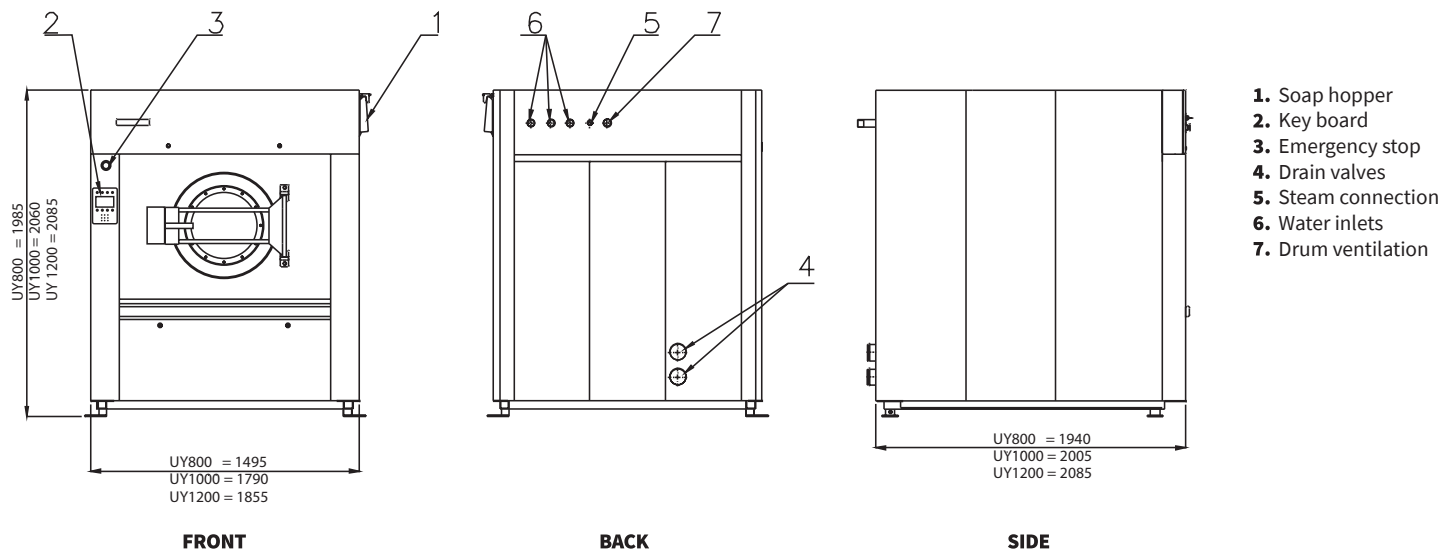
- Liquid soap pumps
- Recycle drain valve
- Insulation for energy, heat & noise reduction
- Automatic weighing system through 4 weighing cells
- Tilting system : assists operators during loading & unloading

CONTROL

- UniLinc Touch
 - 7" full color touch screen display with swipe function: very intuitive for users
 - user-friendly screen with operating instructions built in as part of the control
 - Complete control content available in 34 languages
 - 20 standard wash programmes, total memory capacity for 99 programmes
 - Automated service reminders remind users to maintenance tasks
 - Water leak detection
 - Slow drain detection
 - Temperature-time verification

SOFTMOUNT WASHER-EXTRACTORS

TYPE		UY800	UY1000	UY1200
INNERDRUM				
Capacity 1:09	kg (lb)	89 (196)	108 (238)	128 (282)
Volume	litres	807	972	1154
Diameter	mm	1110	1200	1300
DRUM SPEED				
Wash	rpm	36	33	32
Extraction	rpm	750	720	695
G-FACTOR				
		350	350	350
HEATING				
Electricity	kW	67,5	-	-
Steam	bar	3 - 8	3 - 8	3 - 8
	psi	44 - 116	44 - 116	44 - 116
Hot water	°C	194	194	194
Sound pressure level	dB (A)	< 71	< 72	< 72
Water valves connection	BSP	1 1/2"	1 1/2"	1 1/2"
Water inlet	inch	3x1 1/2"	3x1 1/2"	3x1 1/2"
Steam inlet	inch	1"	1"	1"
Compressed Air inlet	mm	Ø 8	Ø 8	Ø 8
Drain	mm	2x103	2x103	2x103
		2x4"	2x4"	2x4"
DIMENSIONS				
Size H×W×D	mm	2059×1495×1925	2060×1790×2024	2093×1855×2111
Net weight	kg	2640	3170	3480
TRANSPORT DATA				
Packed H×W×D	mm	2325×1780×2150	2425×2080×2350	2425×21805×2350
Gross weight	kg	2830	3410	3710



CONSULT YOUR SALES REPRESENTATIVE FOR AVAILABILITY

For the most accurate information, the installation guide should be used for all design and construction purposes. Due to continuous product improvements, design and specifications are subject to change without notice. www.unimac.com

UniMac by Alliance Laundry Systems